



Flame Detector

QRA4.U

UV flame detector for use with burner controls from Siemens for the supervision of gas or oil flames.

The QRA4.U and this Data Sheet are intended for use by OEMs which integrate the flame detectors in their products.

Use

The flame detector is used for the supervision of gas flames, yellow- or blue-burning oil flames and for ignition spark proving in intermittent operation.

The QRA4.U is for use with following burner control type

Burner control	Data Sheet
LFL...	N7451
LFE1...	N7461
LFE10...	N7781
LGB2... / LGB4... with AGQ1...	N7435
LME7... with AGQ3...A27	N7105
LMG... with AGQ2...	N7422
LMV2... / LMV3...	N7541
LMV5... with AGQ1...	N7550

Warning notes



To avoid injury to persons, damage to property or the environment, the following warning notes must be observed!

Do not open, interfere with or modify the flame detector!

- **Condensation, formation of ice and ingress of water are not permitted!**
- All activities (mounting, installation and service work, etc.) must be performed by qualified staff
- Before making any wiring changes in the connection area, completely isolate the plant from mains supply (all-polar disconnection). Ensure that the plant cannot be inadvertently switched on again and that it is indeed dead. If not observed, there is a risk of electric shock hazard
- Ensure protection against electric shock hazard by providing adequate protection for the connection terminals
- Each time work has been carried out (mounting, installation, service work, etc.), check to ensure that wiring is in an orderly state
- Halogen lamps, welding equipment, special lamps or ignition sparks may produce sufficient radiation for the detector's UV cell to ignite. X-rays and gamma radiation can also generate erroneous flame signals
- Fall or shock can adversely affect the safety functions. Such detectors must not be put into operation, even if they do not exhibit any damage

Mounting notes

- Ensure that the relevant national safety regulations are complied with

Installation notes

- Always run the high-voltage ignition cables separate while observing the greatest possible distance to the detector and to other cables

Electrical connection of the flame detector

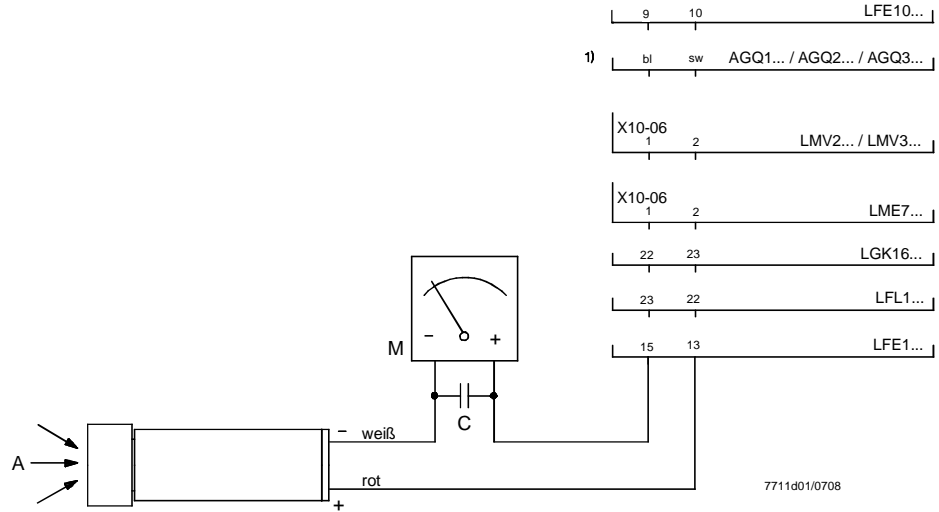
It is important to achieve practically disturbance- and loss-free signal transmission:

- Never run the detector cable together with other cables
 - Line capacitance reduces the magnitude of the flame signal
 - Use a separate cable
- Observe the permissible lengths of the detector cable (refer to «Technical data» of used burner control)

Commissioning notes

- Trouble-free burner operation is only ensured when the intensity of UV radiation at the detector's location is high enough for the detector's UV cell to ignite during each half wave. The **intensity of UV radiation** at the detector's location is **checked by measuring the detector current** (therefor refer Data Sheet of used burner control)

Measuring circuit for
QRA4.U



Legend

- 1) Connection of microammeter across adapter AGQ1... / AGQ2... / AGQ3... and flame detector
 A Incidence of radiation
 M Microammeter (DC), internal resistance $\leq 5000 \Omega$
 C Electrolytic capacitor 100...470 μF , DC 10...25 V

Standards and certificates

Only in connection with
the burner control



Conformity to EEC directives
 - Electromagnetic compatibility EMC (immunity) 2004/108/EC
 - Directive for gas appliances 90/396/EEC
 - Low-voltage directive 2006/95/EC



ISO 9001: 2000
Cert. 00739



ISO 14001: 2004
Cert. 38233

Disposal notes



The flame detector contains electrical and electronic components and must not be disposed of together with household waste.
Local and currently valid legislation must be observed.

Mechanical design

Flame detector QRA4.U Housing made of aluminium, with 3/4"-14NPSM connecting thread for fitting the detector to the burner or boiler.
Connecting wires of about 1.8 m length for the electrical connection.
1/2"-14NPSM thread for a fitting, required for the connection of a Mezel tube for protecting the connecting wires (1/2" conduit).

Technical data

General detector data	Average life of UV cell	Approx. 10'000 hours at max. +50 °C, higher ambient temperatures reduce considerably the cell's life
	Perm. combustion chamber pressure	Max. 150 mbar
	Degree of protection	IP54 (to be ensured through mounting)
	Mounting position	Optional
	Weight	Approx. 180 g
	Environmental conditions	Storage
Climatic conditions		Class 1K3
Mechanical conditions		Class 1M2
Temperature range		-20...+60 °C
Humidity		<95 % r.F.
Transport		DIN EN 60721-3-2
Climatic conditions		Class 2K3
Mechanical conditions		Class 2M2
Temperature range		-20...+60 °C
Humidity		<95 % r.h.
Operation		DIN EN 60721-3-3
Climatic conditions		Class 3K5
Mechanical conditions	Class 3M5	
Temperature range	-20...+60 °C	
Humidity	<95 % r.h.	

Function

With this type of flame supervision, the UV radiation emitted by gas or oil flames is used to generate the flame signal.

The radiation detector is a UV-sensitive cell with 2 electrodes, which ignite when illuminated with radiation in the 190...270 nm range of the spectrum, thereby triggering a current in the flame detector circuit.

The UV cell does not respond to glowing firebrick in the combustion chamber or daylight.

Dimensions

Dimensions in mm

Flame detector QRA4.U

